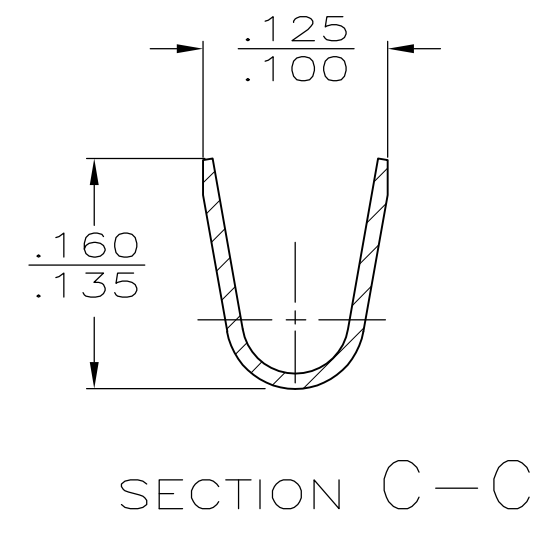
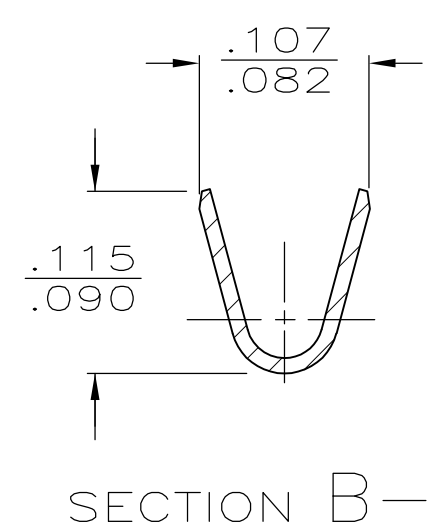
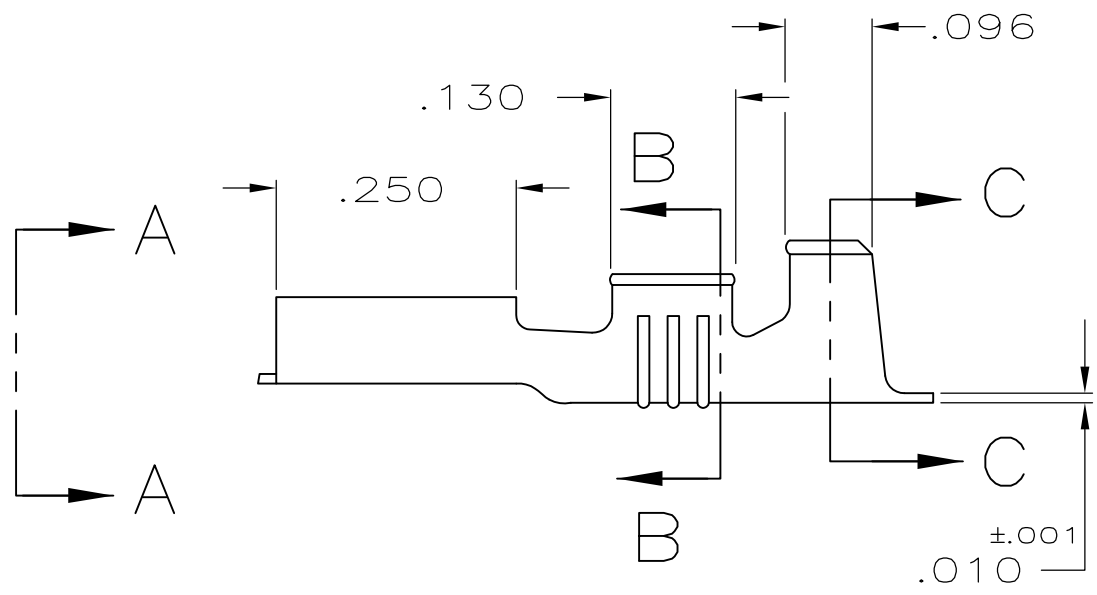
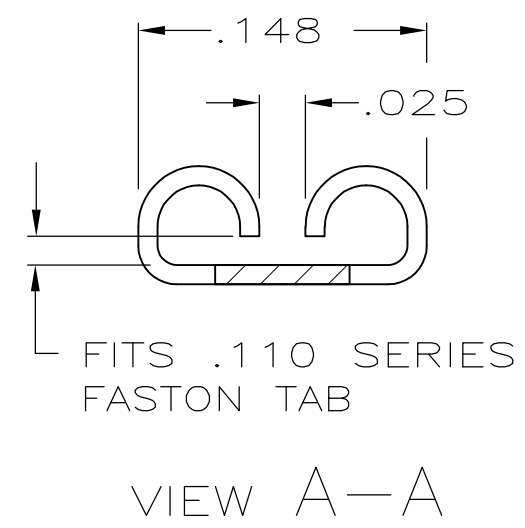
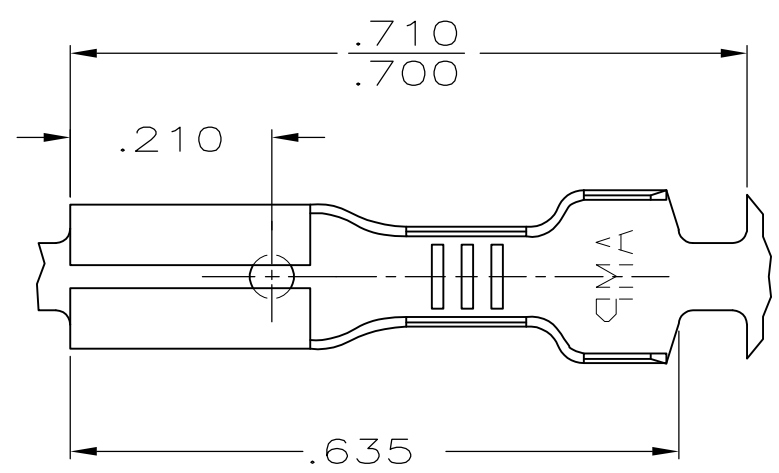


THIS DRAWING IS UNPUBLISHED. RELEASED FOR PUBLICATION
 © COPYRIGHT - By - ALL RIGHTS RESERVED.

LOC	DIST	REVISIONS			
P	LTR	DESCRIPTION	DATE	DWN	APVD
AF	50	AR	REVISED PER ECR-12-013445	18OCT12	KH PD

- 1 CONTINUOUS STRIP ON REELS.
- 2 MATING TAB THK IS $.012 \pm .001$.
- 3 WIRE SIZE IS #22-#18 AWG.
- 4 INSULATION RANGE IS $.060-.100$ DIA
- 5 REELED ON PLASTIC REELS.



5	60415-2
	60415-1
	PART NUMBER

THIS DRAWING IS A CONTROLLED DOCUMENT.		DWN	JR RUTH	6/23/87	STE TE Connectivity												
DIMENSIONS: INCHES		CHK	G YETTER	6/23/87													
TOLERANCES UNLESS OTHERWISE SPECIFIED:		APVD	C MEYERS	6/23/87	RECEPTACLE, FASTON,™ .110 SERIES												
<table border="0"> <tr><td>0 PLC</td><td>± -</td></tr> <tr><td>1 PLC</td><td>± -</td></tr> <tr><td>2 PLC</td><td>± -</td></tr> <tr><td>3 PLC</td><td>± .015</td></tr> <tr><td>4 PLC</td><td>± -</td></tr> <tr><td>ANGLES</td><td>± -</td></tr> </table>		0 PLC	± -	1 PLC				± -	2 PLC	± -	3 PLC	± .015	4 PLC	± -	ANGLES	± -	PRODUCT SPEC
0 PLC	± -																
1 PLC	± -																
2 PLC	± -																
3 PLC	± .015																
4 PLC	± -																
ANGLES	± -																
MATERIAL: BRASS		FINISH: PRE-TIN		APPLICATION SPEC		SIZE: A3		CAGE CODE: 00779	DRAWING NO: C-60415	RESTRICTED TO: -							
CUSTOMER DRAWING				SCALE: 5:1		SHEET: 1 OF 1		REV: AR									